

## >> Product Specification



## >> CKO-LED-WL606-F Circular Work Lamp 9 LED Flood with Magnetic Base



### >> KEY FEATURES

- Colour: White
- Lumens: 1400
- Beam Pattern: Flood
- Approval: ECE R10
- Fixing: Magnetic Base
- Voltage: 12-80V
- IP Rating: IP67
- LEDs: 9
- Dimensions: 115mm x 126mm x 50mm
- Aluminium housing
- PMMA lens
- Cigarette adaptor plug
- Removable handle

**FOR MORE INFORMATION, CONTACT OUR SALES TEAM.**

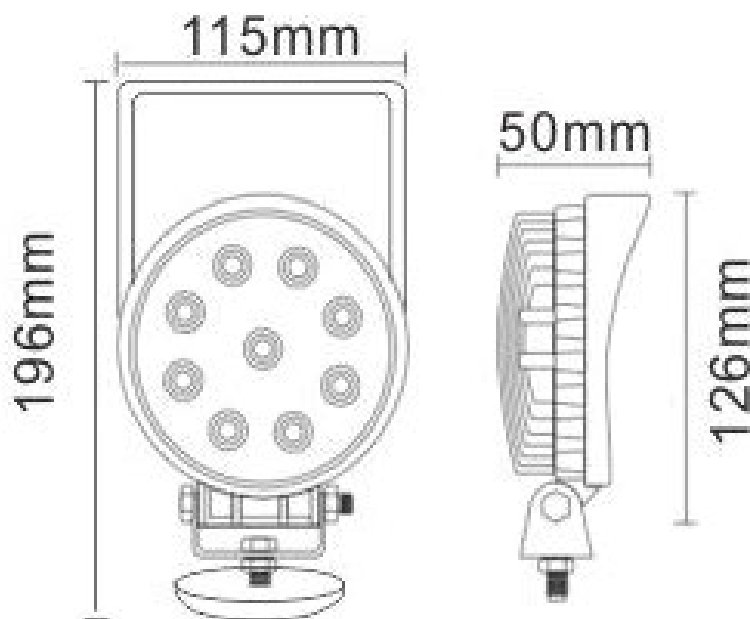
**T:** 020 8863 8333 (OPT1) • **E:** sales@c-ko.co.uk • **W:** www.c-ko.co.uk

## Product Specification



### Circular Work Lamp 9 LED Flood with Magnetic Base

#### Product Dimensions Diagram



#### Wiring Information

- **Red:** Power
- **Black:** Ground



**Warning:** Avoid looking directly at LEDs while they are in operation. Doing so may result in temporary vision impairment or permanent eye damage.

It is not recommended to use magnetically mounted warning devices on vehicles as a permanent addition, magnetically mounted warning devices are designed for temporary usage. The device may become dislodged while the vehicle is moving at speed, posing a risk of damage to the vehicle or injury to people nearby.

**FOR MORE INFORMATION, CONTACT OUR SALES TEAM.**

**T:** 020 8863 8333 (OPT1) • **E:** sales@c-ko.co.uk • **W:** www.c-ko.co.uk