

>> Product Specification



>> CKO-LED-BRACKET8 Strobe Light Bracket 142mm



CKO-LED-BRACKET8

>> KEY FEATURES

- Strobe Light Bracket
- Made from iron
- Dimensions 142 x 63 x 20mm
- Mounting plate for all 6 LED / 12 LED strobe models

FOR MORE INFORMATION, CONTACT OUR SALES TEAM.

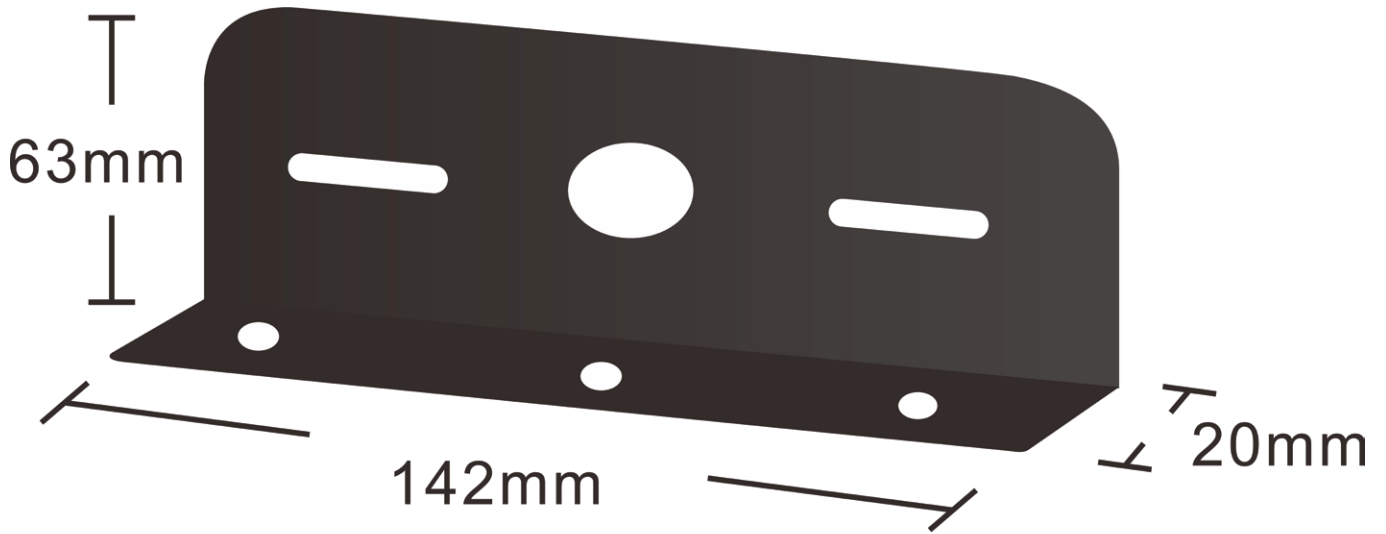
T: 020 8863 8333 (OPT1) • **E:** sales@c-ko.co.uk • **W:** www.c-ko.co.uk

Product Specification



Strobe Light Bracket 142mm

Product Dimensions Diagram



FOR MORE INFORMATION, CONTACT OUR SALES TEAM.

T: 020 8863 8333 (OPT1) • **E:** sales@c-ko.co.uk • **W:** www.c-ko.co.uk

