

>> Product Specification



>> CKO-LED-853 5 Function Tail Light With Progressive Indicator



CKO-LED-853

>> KEY FEATURES

- Light Colour: Multiple
- Lens: Clear
- Fixing: Surface
- Approval: ECE R10/R3/R6/R7/R23/R38
- Voltage: 12-24V
- IP Rating: IP67
- Multi Function Tail Light with reflector
- Stop, Tail, Turn, Reverse and Fog light all in one
- ABS / Polycarbonate Housing
- Polycarbonate Lens

FOR MORE INFORMATION, CONTACT OUR SALES TEAM.

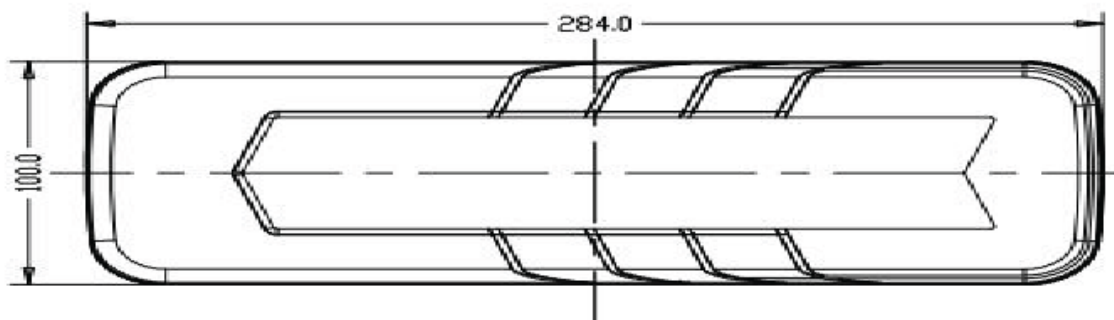
T: 020 8863 8333 (OPT1) • **E:** sales@c-ko.co.uk • **W:** www.c-ko.co.uk

Product Specification



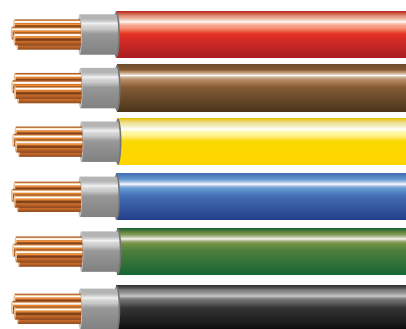
5 Function Tail Light With Progressive Indicator

Product Dimensions Diagram



Wiring Information

- **Red:** Stop
- **Brown:** Tail
- **Yellow:** Turn
- **Blue:** Reverse
- **Green:** Fog
- **Black:** Ground



Warning: Avoid looking directly at LEDs while they are in operation. Doing so may result in temporary vision impairment or permanent eye damage.

FOR MORE INFORMATION, CONTACT OUR SALES TEAM.

T: 020 8863 8333 (OPT1) • **E:** sales@c-ko.co.uk • **W:** www.c-ko.co.uk