

Product Specification



CKO-LED-4H707-W White Strobe 4 LED Ultra Slim



CKO-LED-4H707-W

KEY FEATURES

- Colour: White
- Fixing: Bolt / Self Adhesive
- Approval: ECE R10
- Voltage: 12-24V
- IP Rating: IP67
- LEDs: 4
- Patterns: 26 Selectable Flash Patterns
- Dimensions: 98mm x 31mm x 6.6mm
- Tough polycarbonate lens with UV resistance
- Aluminium base with heat dissipation
- Reverse polarity protection
- Synchronise up to 15 strobes
- Clear Lens
- -30°C to +60°C operating temperature

FOR MORE INFORMATION, CONTACT OUR SALES TEAM.

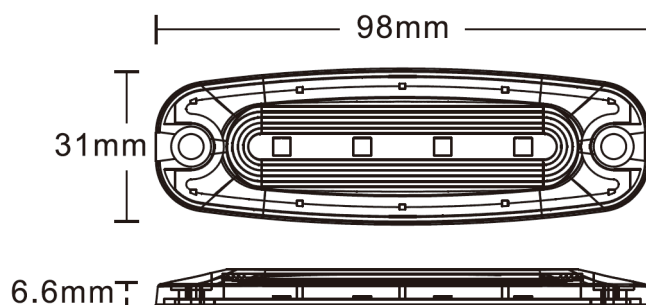
T: 020 8863 8333 (OPT1) • **E:** sales@c-ko.co.uk • **W:** www.c-ko.co.uk

Product Specification



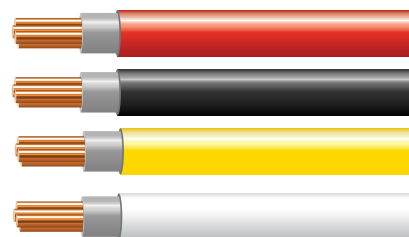
White Strobe 4 LED Ultra Slim

Product Dimensions Diagram



Wiring Information

- **Red:** Power
- **Black:** Ground
- **Yellow:** Pattern Programming
- **White:** Sync Wire



Flash Pattern Information

Tap yellow wire to black for less than 1 second for next pattern, 1-3 seconds for previous pattern or over 5 seconds to return to the first pattern.

1. Single R65
2. Single Slow
3. Double R65/SAE
4. Double Slow
5. Triple
6. Quad
7. Quad Slow
8. Octa Slow
9. Octa Quick
10. Twelve
11. Sixteen
12. Single - Alternative
13. Double - Alternative

14. Triple - Alternative
15. Quad - Alternative
16. Octa - Alternative
17. Single - Split
18. Double - Split
19. Quad - Split
20. Single - Split Alternative
21. Single - Split Alternative
22. Double - Split Alternative
23. SOS
24. Cycle (1,8,3,9,4,18)
25. Cycle (2,7,9,11,19,21)
26. Steady On



Warning: Avoid looking directly at LEDs while they are in operation. Doing so may result in temporary vision impairment or permanent eye damage.

FOR MORE INFORMATION, CONTACT OUR SALES TEAM.

T: 020 8863 8333 (OPT1) • **E:** sales@c-ko.co.uk • **W:** www.c-ko.co.uk