

# Product Specification



## CKO-LED-4H707-B Blue Strobe 4 LED Ultra slim



CKO-LED-4H707-B

### KEY FEATURES

- Colour: Blue
- Fixing: Bolt / Self Adhesive
- Approval: ECE R10 / R65
- Voltage: 12-24V
- IP Rating: IP67
- LEDs: 4
- Patterns: 26 Selectable Flash Patterns
- Dimensions: 98mm x 31mm x 6.6mm
- Tough polycarbonate lens with UV resistance
- Aluminium base with heat dissipation
- Reverse polarity protection
- Synchronise up to 15 strobes
- Clear Lens
- -30°C to +60°C operating temperature

**FOR MORE INFORMATION, CONTACT OUR SALES TEAM.**

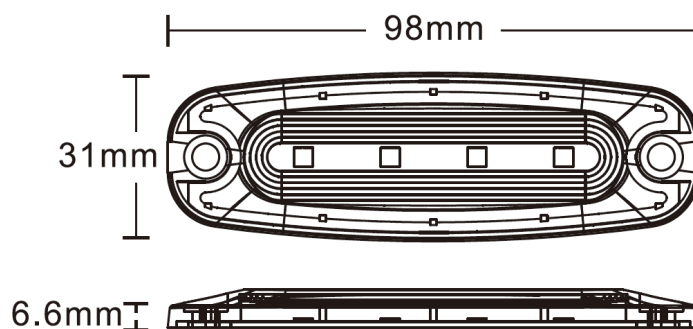
**T:** 020 8863 8333 (OPT1) • **E:** sales@c-ko.co.uk • **W:** www.c-ko.co.uk

## Product Specification



### Blue Strobe 4 LED Ultra slim

### Product Dimensions Diagram



### Wiring Information

- **Red:** Power
- **Black:** Ground
- **Yellow:** Pattern Programming
- **White:** Sync Wire



### Flash Pattern Information

Tap yellow wire to black for less than 1 second for next pattern, 1-3 seconds for previous pattern or over 5 seconds to return to the first pattern.

1. Single R65
2. Single Slow
3. Double R65/SAE
4. Double Slow
5. Triple
6. Quad
7. Quad Slow
8. Octa Slow
9. Octa Quick
10. Twelve
11. Sixteen
12. Single - Alternative
13. Double - Alternative

14. Triple - Alternative
15. Quad - Alternative
16. Octa - Alternative
17. Single - Split
18. Double - Split
19. Quad - Split
20. Single - Split Alternative
21. Single - Split Alternative
22. Double - Split Alternative
23. SOS
24. Cycle (1,8,3,9,4,18)
25. Cycle (2.7.9.11.19.21)
26. Steady On



**Warning:** Avoid looking directly at LEDs while they are in operation. Doing so may result in temporary vision impairment or permanent eye damage.

**FOR MORE INFORMATION, CONTACT OUR SALES TEAM.**

**T:** 020 8863 8333 (OPT1) • **E:** sales@c-ko.co.uk • **W:** www.c-ko.co.uk