

Product Specification



CKO-LED-3H707-W White Strobe 3 LED Ultra Slim



CKO-LED-3H707-W

KEY FEATURES

- Colour: White
- Fixing: Bolt / Self Adhesive
- Approval: ECE R10
- Voltage: 12-24V
- IP Rating: IP67
- LEDs: 3
- Patterns: 26 Selectable Flash Patterns
- Dimensions: 82mm x 31mm x 6.6mm
- Tough polycarbonate lens with UV resistance
- Aluminium base with heat dissipation
- Reverse polarity protection
- Synchronise up to 15 strobes
- Clear Lens
- -30°C to +60°C operating temperature

FOR MORE INFORMATION, CONTACT OUR SALES TEAM.

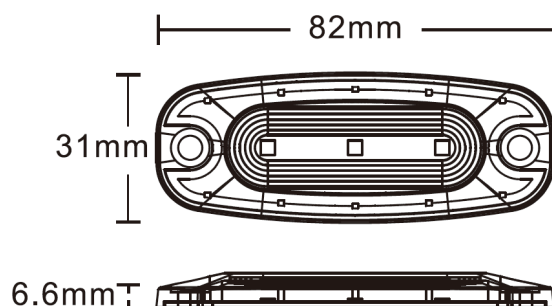
T: 020 8863 8333 (OPT1) • **E:** sales@c-ko.co.uk • **W:** www.c-ko.co.uk

Product Specification



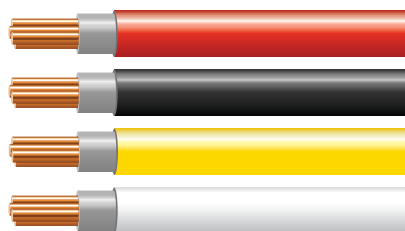
White Strobe 3 LED Ultra Slim

Product Dimensions Diagram



Wiring Information

- **Red:** Power
- **Black:** Ground
- **Yellow:** Pattern Programming
- **White:** Sync Wire



Flash Pattern Information

Tap yellow wire to black for less than 1 second for next pattern, 1-3 seconds for previous pattern, or over 5 seconds to return to the first pattern.

- | | |
|--------------------------|--------------------------------|
| 1. Single R65 | 14. Triple - Alternative |
| 2. Single Slow | 15. Quad - Alternative |
| 3. Double R65/SAE | 16. Octa - Alternative |
| 4. Double Slow | 17. Single - Split |
| 5. Triple | 18. Double - Split |
| 6. Quad | 19. Quad - Split |
| 7. Quad Slow | 20. Single - Split Alternative |
| 8. Octa Slow | 21. Single - Split Alternative |
| 9. Octa Quick | 22. Double - Split Alternative |
| 10. Twelve | 23. SOS |
| 11. Sixteen | 24. Cycle (1,8,3,9,4,18) |
| 12. Single - Alternative | 25. Cycle (2.7.9.11.19.21) |
| 13. Double - Alternative | 26. Steady On |



Warning: Avoid looking directly at LEDs while they are in operation. Doing so may result in temporary vision impairment or permanent eye damage.

FOR MORE INFORMATION, CONTACT OUR SALES TEAM.

T: 020 8863 8333 (OPT1) • **E:** sales@c-ko.co.uk • **W:** www.c-ko.co.uk