

Product Specification



CKO-LED-270-1B-A Amber Beacon 24 LED 1 Bolt



CKO-LED-270-1B-A

KEY FEATURES

- Lens: Amber
- Fixing: 1 Bolt
- Approval: ECE R10 / R65
- Voltage: 12-24V
- IP Rating: IP67
- LEDs: 24
- Patterns: 7 Selectable Flash Patterns
- Dimensions: 122mm x 130mm (166mm height inc bolt)
- Flash pattern programming via push button under lens
- Polycarbonate lens
- -30° to +60° operating temperature

FOR MORE INFORMATION, CONTACT OUR SALES TEAM.

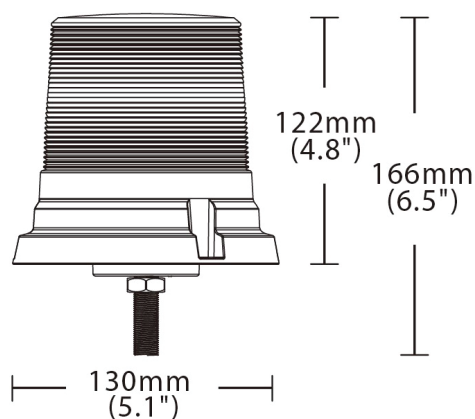
T: 020 8863 8333 (OPT1) • **E:** sales@c-ko.co.uk • **W:** www.c-ko.co.uk

Product Specification



Amber Beacon 24 LED 1 Bolt

Product Dimensions Diagram



Wiring Information

- **Red:** Power
- **Black:** Ground



Flash Pattern Information

Programmable via mode button under lens.

- | | |
|-----------|-----------------------|
| 1. Single | 5. Single Slow |
| 2. Double | 6. Single Breath Like |
| 3. Quad | 7. Rotating |
| 4. Octa | |



Warning: Avoid looking directly at LEDs while they are in operation. Doing so may result in temporary vision impairment or permanent eye damage.

FOR MORE INFORMATION, CONTACT OUR SALES TEAM.

T: 020 8863 8333 (OPT1) • **E:** sales@c-ko.co.uk • **W:** www.c-ko.co.uk