

## >> Product Specification



## >> CKO-LED-255-1B-A Amber Beacon 24 LED 1 Bolt Airport Approved



### >> KEY FEATURES

- Lens: Amber
- Fixing: 1 Bolt
- Approval: ECE R10 / R65 / ICAO / CAP168
- Voltage: 9-30v
- IP Rating: IP67
- LEDs: 24
- Patterns: 7 Selectable Flash Patterns
- Dimensions: 81mm x 130mm
- Flash pattern programming via push button under lens
- Airport Approved
- Polycarbonate lens
- -30° to +60° operating temperature

**FOR MORE INFORMATION, CONTACT OUR SALES TEAM.**

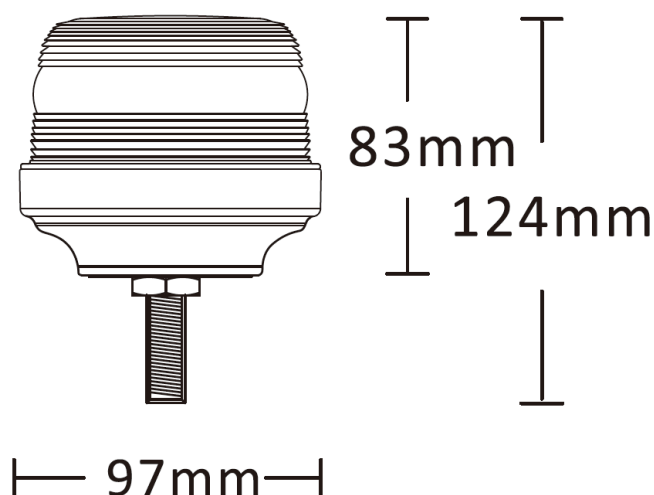
**T:** 020 8863 8333 (OPT1) • **E:** sales@c-ko.co.uk • **W:** www.c-ko.co.uk

## Product Specification



### Amber Beacon 24 LED 1 Bolt Airport Approved

### Product Dimensions Diagram



### Wiring Information

- **Red:** Power
- **Black:** Ground



### Flash Pattern Information

Push button under base of light.

- |           |                        |
|-----------|------------------------|
| 1. Single | 5. Rotating            |
| 2. Double | 6. Rotating + Quick    |
| 3. Quad   | 7. Single CAP168/ICAO) |
| 4. Quick  | 8. Off                 |



**Warning:** Avoid looking directly at LEDs while they are in operation. Doing so may result in temporary vision impairment or permanent eye damage.

**FOR MORE INFORMATION, CONTACT OUR SALES TEAM.**

**T:** 020 8863 8333 (OPT1) • **E:** sales@c-ko.co.uk • **W:** www.c-ko.co.uk