

>> Product Specification



>> CKO-LED-221-FD-A Amber Beacon 12 LED Flexi Din



CKO-LED-221-FD-A

>> KEY FEATURES

- Lens: Amber
- Fixing: Flexi Din
- Approval: ECE R10 / R65
- Voltage: 10-30v
- IP Rating: IP67
- LEDs: 12
- Patterns: 4 Selectable Flash Patterns
- Dimensions: 152mm x 119mm
- Flash pattern programming via push button under lens
- Polycarbonate lens
- -30°to +60°operating temperature

FOR MORE INFORMATION, CONTACT OUR SALES TEAM.

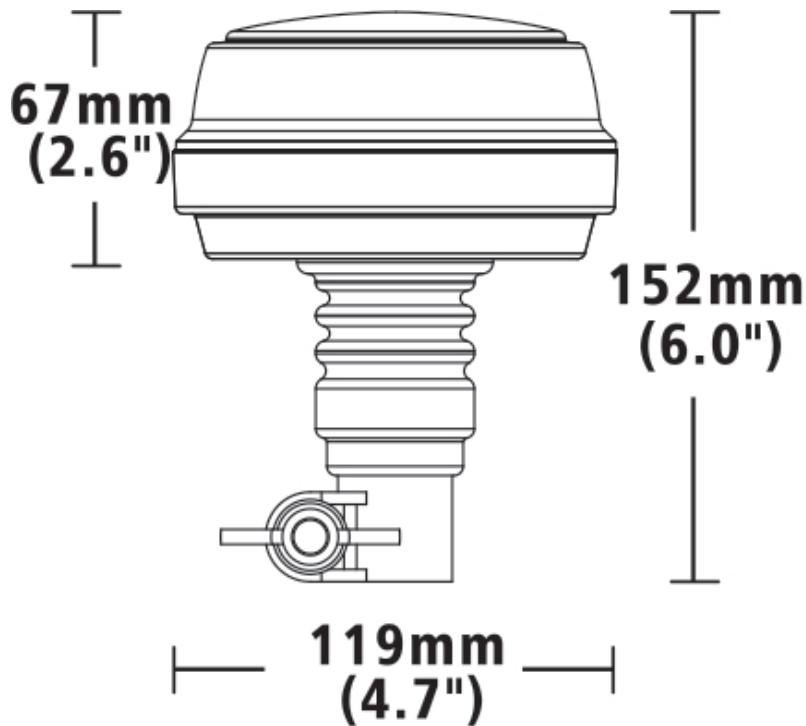
T: 020 8863 8333 (OPT1) • **E:** sales@c-ko.co.uk • **W:** www.c-ko.co.uk



Product Specification

Amber Beacon 12 LED Flexi Din

Product Dimensions Diagram



Wiring Information

- Powerd through Din Bracket
- Din bracket not included



Warning: Avoid looking directly at LEDs while they are in operation. Doing so may result in temporary vision impairment or permanent eye damage.

FOR MORE INFORMATION, CONTACT OUR SALES TEAM.

T: 020 8863 8333 (OPT1) • **E:** sales@c-ko.co.uk • **W:** www.c-ko.co.uk

