

>> Product Specification



>> CKO-LED-221-3B-A Amber Beacon 12 LED 3 Bolt



CKO-LED-221-3B-A

>> KEY FEATURES

- Lens: Amber
- Fixing: 3 Bolt
- Approval: ECE R10 / R65
- Voltage: 10-30v
- IP Rating: IP67
- LEDs: 12
- Patterns: 4 Selectable Flash Patterns
- Dimensions: 61mm x 145mm
- Flash pattern programming via push button under lens
- Polycarbonate lens
- -30° to +60° operating temperature

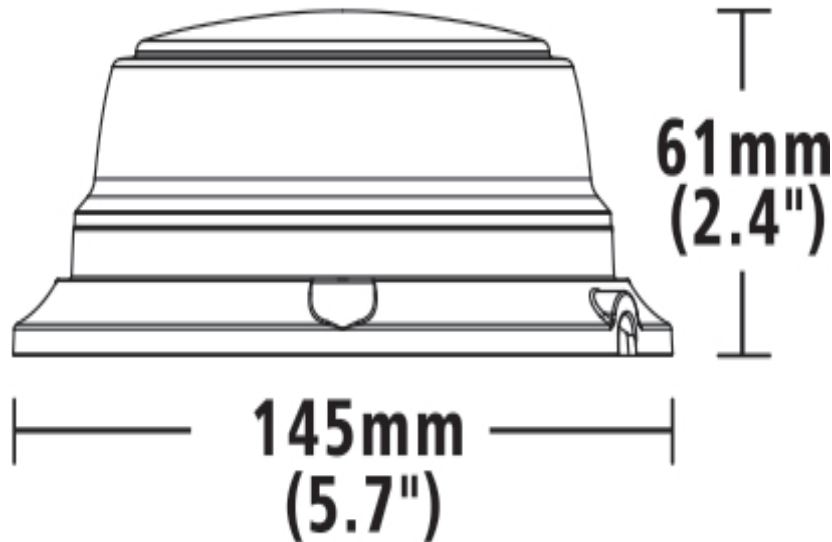
FOR MORE INFORMATION, CONTACT OUR SALES TEAM.

T: 020 8863 8333 (OPT1) • **E:** sales@c-ko.co.uk • **W:** www.c-ko.co.uk

Product Specification

Amber Beacon 12 LED 3 Bolt

Product Dimensions Diagram



Wiring Information

- **Red:** Power
- **Black:** Ground



Warning: Avoid looking directly at LEDs while they are in operation. Doing so may result in temporary vision impairment or permanent eye damage.

FOR MORE INFORMATION, CONTACT OUR SALES TEAM.

T: 020 8863 8333 (OPT1) • **E:** sales@c-ko.co.uk • **W:** www.c-ko.co.uk