

Product Specification



CKO-LED-211-FD-A Amber Beacon 8 LED Flexi Din



CKO-LED-211-FD-A

KEY FEATURES

- Lens: Amber
- Fixing: Flexi Din
- Approval: ECE R10 / R65
- Voltage: 9-30v
- IP Rating: IP67
- LEDs: 8
- Patterns: 4 Selectable Flash Patterns
- Dimensions: 195mm x 130mm
- Flash pattern programming via push button under lens
- Polycarbonate lens
- -30° to +60° operating temperature

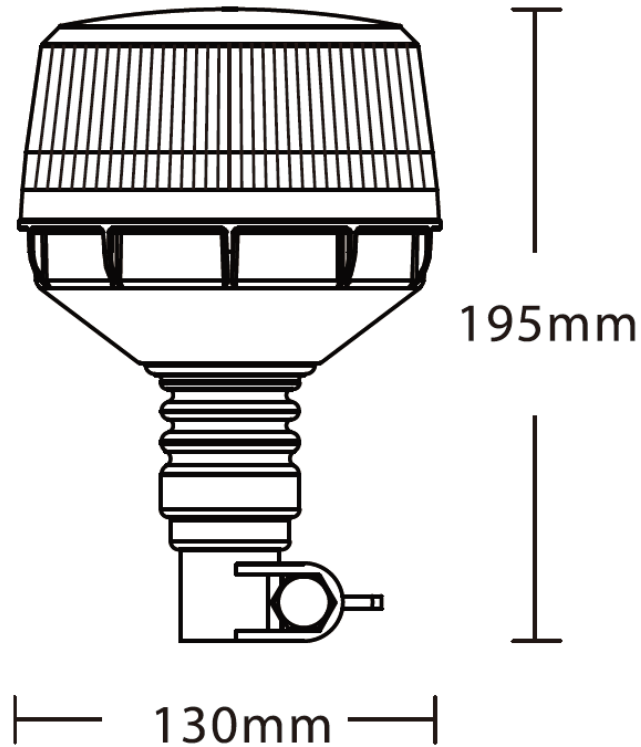
FOR MORE INFORMATION, CONTACT OUR SALES TEAM.

T: 020 8863 8333 (OPT1) • **E:** sales@c-ko.co.uk • **W:** www.c-ko.co.uk

Product Specification

Amber Beacon 8 LED Flexi Din

Product Dimensions Diagram



Wiring Information

- Powerd through Din Bracket
- Din bracket not included



Warning: Avoid looking directly at LEDs while they are in operation. Doing so may result in temporary vision impairment or permanent eye damage.

FOR MORE INFORMATION, CONTACT OUR SALES TEAM.

T: 020 8863 8333 (OPT1) • **E:** sales@c-ko.co.uk • **W:** www.c-ko.co.uk