

## >> Product Specification



## >> CKO-LED-210-3B-A Amber Beacon 16 LED 3 Bolt



CKO-LED-210-3B-A

### >> KEY FEATURES

- Lens: Amber
- Fixing: 3 Bolt
- Approval: ECE R10 / R65
- Voltage: 9-30v
- IP Rating: IP67
- LEDs: 16
- Patterns: 4 Selectable Flash Patterns
- Dimensions: 144mm x 154mm
- Flash pattern programming via push button under lens
- Polycarbonate lens
- -30°to +60°operating temperature

**FOR MORE INFORMATION, CONTACT OUR SALES TEAM.**

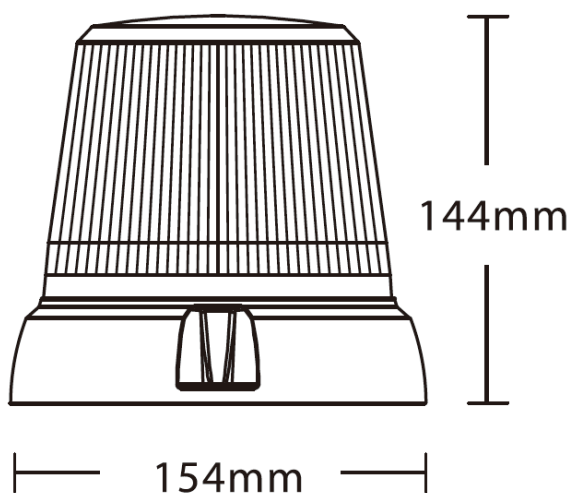
**T:** 020 8863 8333 (OPT1) • **E:** sales@c-ko.co.uk • **W:** www.c-ko.co.uk

## Product Specification



### Amber Beacon 16 LED 3 Bolt

#### Product Dimensions Diagram



#### Wiring Information

- **Red:** Power
- **Black:** Ground



#### Flash Pattern Information

Programmable via mode button under lens.

1. Rotation
2. Single
3. Double
4. Quad



**Warning:** Avoid looking directly at LEDs while they are in operation. Doing so may result in temporary vision impairment or permanent eye damage.

**FOR MORE INFORMATION, CONTACT OUR SALES TEAM.**

**T:** 020 8863 8333 (OPT1) • **E:** sales@c-ko.co.uk • **W:** www.c-ko.co.uk