

# >> Product Specification



## >> CKO-LED-209-3B-G Green Beacon 60 LED 3 Bolt



CKO-LED-209-3B-G

### >> KEY FEATURES

- Lens: Green
- Fixing: 3 Bolt Flush
- Approval: ECE R10
- Voltage: 12-24V
- IP Rating: IP66
- LEDs: 60
- Patterns: 3 Selectable Flash Patterns
- Dimensions: 175mm x 140mm
- Flash pattern programming via dip switches
- Life-span in excess of 10000 hours
- Tough and durable ABS base
- Polycarbonate lens
- -30° to +50° operating temperature

**FOR MORE INFORMATION, CONTACT OUR SALES TEAM.**

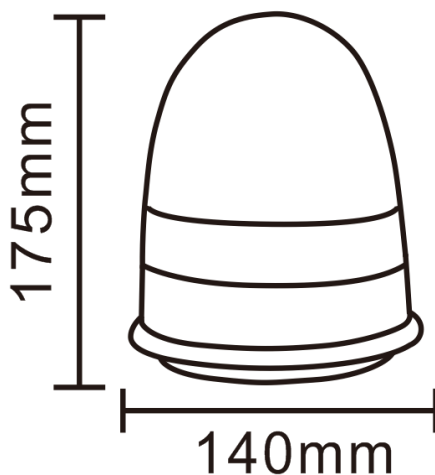
**T:** 020 8863 8333 (OPT1) • **E:** sales@c-ko.co.uk • **W:** www.c-ko.co.uk

## Product Specification



### Green Beacon 60 LED 3 Bolt

### Product Dimensions Diagram



### Wiring Information

- **Red:** Power
- **Black:** Ground



### Flash Pattern Information

Flash pattern programming by dip switch

1. 360 Revolving Flash
2. Intermittent Flash
3. Quick Flash



**Warning:** Avoid looking directly at LEDs while they are in operation. Doing so may result in temporary vision impairment or permanent eye damage.

**FOR MORE INFORMATION, CONTACT OUR SALES TEAM.**

**T:** 020 8863 8333 (OPT1) • **E:** sales@c-ko.co.uk • **W:** www.c-ko.co.uk