

>> Product Specification



>> CKO-LED-209-3B-A Amber Beacon 60 LED 3 Bolt



>> KEY FEATURES

- Lens: Amber
- Fixing: 3 Bolt Flush
- Approval: ECE R10
- Voltage: 12-24V
- IP Rating: IP66
- LEDs: 60
- Patterns: 3 Selectable Flash Patterns
- Dimensions: 175mm x 140mm
- Flash pattern programming via dip switches
- Life-span in excess of 10000 hours
- Tough and durable ABS base
- Polycarbonate lens
- Includes gasket
- -30°to +50°operating temperature

FOR MORE INFORMATION, CONTACT OUR SALES TEAM.

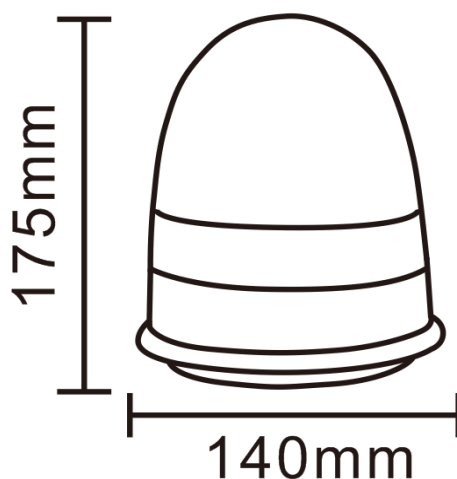
T: 020 8863 8333 (OPT1) • **E:** sales@c-ko.co.uk • **W:** www.c-ko.co.uk

Product Specification



Amber Beacon 60 LED 3 Bolt

Product Dimensions Diagram



Wiring Information

- **Red:** Power
- **Black:** Ground



Flash Pattern Information

Flash pattern programming by dip switch

1. 360 Revolving Flash
2. Intermittent Flash
3. Quick Flash



Warning: Avoid looking directly at LEDs while they are in operation. Doing so may result in temporary vision impairment or permanent eye damage.

FOR MORE INFORMATION, CONTACT OUR SALES TEAM.

T: 020 8863 8333 (OPT1) • **E:** sales@c-ko.co.uk • **W:** www.c-ko.co.uk