

## >> Product Specification



### >> CKO-LED-114-1B-A Amber 270mm Mini Light Bar - Single Bolt



CKO-LED-114-1B-A

#### >> KEY FEATURES

- Light Colour: Amber
- Lens: Clear
- Fixing: Single Bolt (M12)
- Approval: ECE R10/R65 Approved
- Voltage: 12-24V
- IP Rating: IP67
- LEDs: 60
- Patterns: 26 Selectable Flash Patterns
- Additional: Cable with switch included with bolt fixings
- Dimensions: 270mm x 160mm x 49mm (85mm inc. bolt)
- Reverse polarity protection
- Integrated lens design to base provides excellent optical effect
- -30° to +60° operating temperature
- Synchronisation wire for multiple lights

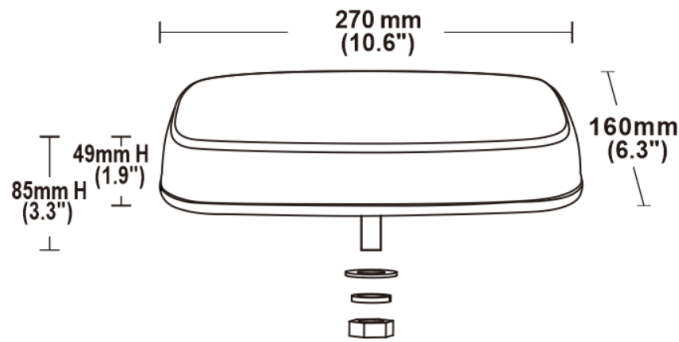
**FOR MORE INFORMATION, CONTACT OUR SALES TEAM.**

**T:** 020 8863 8333 (OPT1) • **E:** sales@c-ko.co.uk • **W:** www.c-ko.co.uk

## Product Specification

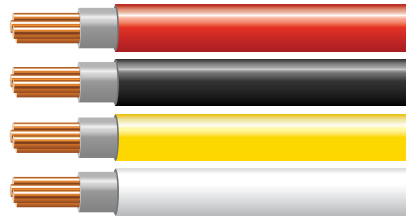
### Amber 270mm Mini Light Bar - Single Bolt

### Product Dimensions Diagram



### Wiring Information

- **Red:** Power
- **Black:** Ground
- **Yellow:** Pattern / Dimming Programming
- **White:** Sync Wire



### Flash Pattern Information

Press pattern button / tap yellow wire to positive for 1 second for next pattern, 1-3 seconds for previous pattern, or over 5 seconds for a reduction of light intensity by 50%.

- |                              |  |
|------------------------------|--|
| 1. Single R65                | 14. Clockwise Rotation                         |
| 2. Single Slow               | 15. Counter Clockwise Rotation                 |
| 3. Double R65/SAE            | 16. Clockwise Constant Flash                   |
| 4. Triple                    | 17. Counter Clockwise Flash                    |
| 5. Quad ECE R65              | 18. Clockwise Single                           |
| 6. Octa                      | 19. Counter Clockwise Single                   |
| 7. Twelve                    | 20. Clockwise Counter Clockwise Constant Flash |
| 8. Half / Half Octa          | 21. Double Rotation                            |
| 9. Cross Octa                | 22. All Quick Half Quad                        |
| 10. One One Single           | 23. All Quick Single Fast Quad                 |
| 11. One One Octa             | 24. Left Steady Right Single                   |
| 12. Clockwise Triple         | 25. Right Steady Left Single                   |
| 13. Counter Clockwise Triple | 26. Steady On                                  |



**Warning:** Avoid looking directly at LEDs while they are in operation. Doing so may result in temporary vision impairment or permanent eye damage.

**FOR MORE INFORMATION, CONTACT OUR SALES TEAM.**

**T:** 020 8863 8333 (OPT1) • **E:** sales@c-ko.co.uk • **W:** www.c-ko.co.uk