

Product Specification

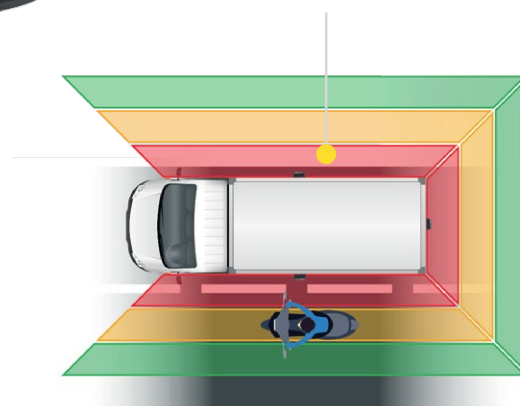


AI Pedestrian Detection Camera

1080P AI Pedestrian Detection Camera



1080P AI Pedestrian Detection Camera Detection Zones



PRODUCT OVERVIEW

- Pedestrian and cyclist detection
- Front / Rear / Side View: Detection range 0.5-20M adjustable; Bird View: 3M*6M detection area adjustable
- Adjustable zones to show detected areas
- Full high-definition video output, can be overlaid with colour zones and pedestrian warning information
- No control box needed, can be directly connected to normal monitors / DVR
- Audio alarm output, external loudspeaker supported
- Calibration via Wi-Fi hotspot
- Waterproof / dustproof rated to IP69K
- Configurable via USB dongle

SPECIFICATIONS

Resolution:	1920 x 1080P
Frame Rate:	25 fps
Video Output:	AHD (1.0Vp-p, 750Ω)
Viewing Angle:	Bird view: 170° (Horizontal) Front / side view: 52° (Horizontal)
Rear View:	Rear view: 130° (Horizontal)
Audio Output:	Yes
Communication Interface:	USB 2.0 (For Software upgrading)
Power Supply:	DC 10V-32V
Waterproof Rating:	IP69K
Operating Temperature:	-20~+70°
Storage Temperature:	-30~+80°
Vibration Resistance:	5.9G

FOR MORE INFORMATION, CONTACT OUR SALES TEAM.

T: 020 8863 8333 (OPT1) • **E:** sales@c-ko.co.uk • **W:** www.c-ko.co.uk